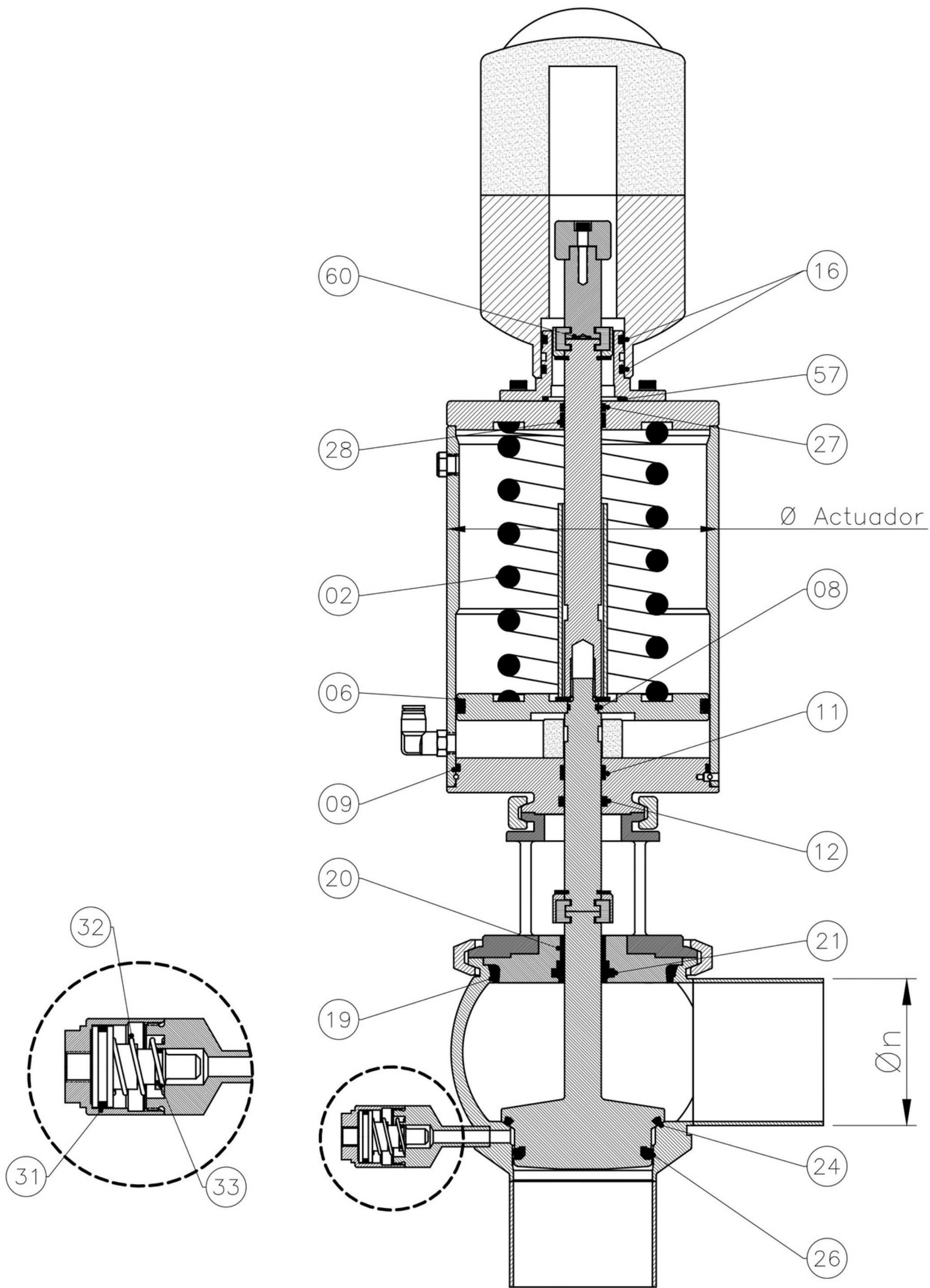




Repuestos válvula elevación higiénica con desvío simple normal c/testigo de fuga



CONJUNTO PARTES DE REPARACION

| DIAMETRO DE LA VALVULA (mm) | | Ø38,1 – 50,8 | | Ø63,5 – 76,2 | | Ø101,6 | | |
|--|----|------------------------------|---------------------|---------------------|---------------------|--------------------|--------------------|--------------------------|
| DIAMETRO CILINDRO ACTUADOR (mm) | | 88,9 | 114 | 114 | 141 | 141 | 168,1 | |
| O´RING CAB.CONTROL | 16 | O-RING | 41-036-0360A | 41-036-0360A | 41-036-0360A | 41-036-0360A | 41-036-0360A | 41-036-0360A |
| | 57 | O-RING | 402-12760A | 402-12760A | 402-12760A | 402-12760A | 402-12760A | 402-12760A |
| | 60 | O-RING | 402-00860A | 402-00860A | 402-00860A | 402-00860A | 402-00860A | 402-00860A |
| ACTUADOR NEUMATICO (KIT A) | 2 | RESORTE | 1650573968 | 8.005E+12 | 8.005E+12 | 8.00501E+12 | 8.00501E+12 | 8.005E+12 8.00505E+12 |
| | 6 | O-RING | 402-33560A | 402-34360A | 402-34360A | 402-35160A | 402-35160A | 402-35960A |
| | 8 | O-RING | 402-01460A | 402-01460A | 402-01460A | 402-01460A | 402-01460A | 402-01460A |
| | 9 | O-RING | 402-15160A | 402-15460A | 402-15460A | 402-15960A | 402-15960A | 402-16260A |
| | 11 | BUJE GUIA VASTAGO | 800630690T | 800630690T | 800630690T | 800630690T | 800630690T | 800630690T |
| | 12 | O-RING | 402-21060A | 402-21060A | v402-21060A | 402-21060A | 402-21060A | 402-21060A |
| | 27 | O-RING | 402-11660A | 402-11660A | 402-11660A | 402-11660A | 402-11660A | 402-11660A |
| | 28 | BUJE GUIA VASTAGO C.C. | 820210710T | 820210710T | 820210710T | 820210710T | 820210710T | 820210710T |
| CONJUNTO PARTES REPARACION ACTUADOR | | KITA80008 | KITA8004102 | KITA8004102 | KITA8005603 | KITA8005603 | KITA8001504 | |
| CONTACTO CON PRODUCTO (KITJ)* | 19 | JUNTA TAZON | 8006T_4160 | 8006T_4160 | 8006T_5660 | 8006T_5660 | 8006T_1560 | 8006T_1560 |
| | 20 | BUJE PORTATORRE | 800640710T | 800640710T | 800640710T | 800640710T | 800640710T | 800640710T |
| | 21 | JUNTA BRIDA PORTATORRE | 8006B_6960 | 8006B_6960 | 8006B_6960 | 8006B_6960 | 8006B_6960 | 8006B_6960 |
| | 24 | JUNTA VASTAGO PISTON | 8006V_4160 | 8006V_4160 | 8006V_5660 | 8006V_5660 | 8006V_1560 | 8006V_1560 |
| | 26 | JUNTA VASTAGO PISTO INTERNO | 8206W_4160 | 8206W_4160 | 8206W_5660 | 8206W_5660 | 8206W_1560 | 8206W_1560 |
| | 31 | O-RING | 402-11860_ | 402-11860_ | 402-11860_ | 402-11860_ | 402-11860_ | 402-11860_ |
| | 32 | RESORTE P/ CILINDRO LIMPIEZA | 8711507103 | 8711507103 | 8711507103 | 8711507103 | 8711507103 | 8711507103 |
| | 33 | O-RING | 402-01260_ | 402-01260_ | 402-01260_ | 402-01260_ | 402-01260_ | 402-01260_ |
| CONJUNTO PARTES JUNTAS Y BUJES | | KITJ8714160_ | KITJ8714160_ | KITJ8715660_ | KITJ8715660_ | KITJ871560_ | KITJ871560_ | |

*Las juntas pueden ser en EPDM , FKM. Consultar otras calidades.

Las especificaciones de los productos representados en estas páginas, están sujetas a cambios sin previo aviso

